



## MR16 TC - 4W/6W

Non-dimmable 4 watt / 6 watt - MR 16 profile shape LED, with selectable CCT

### Application

Ideal for any residential interior space

### Design Specifications

- Shockproof frosted polycarbonate lens
- Die-cast aluminium body
- High efficiency LED optics, CRI >80
- For optimum performance, the recommended transformer is the SAL MINI60, traditional iron core transformers are not recommended
- Beam distribution 38°
- Selectable CCT 3000K/4000K/6000K, lamp base GU5.3

### Performance

- Dimmable - **NO**



### Technical Specification

Product	Model No.	Input Voltage (V/AC)	Input Voltage (V/DC)	Power (W)	Lumens (lm)	CCT (K)
	MR16/5W/TC	12	12	4	360/400/380	3000/4000/6000
	MR16/7W/TC	12	12	6	500/600/550	3000/4000/6000

CRI	Beam Angle (°)	Dimmable	Base Type
80	38	NO	GU5.3
80	38	NO	GU5.3

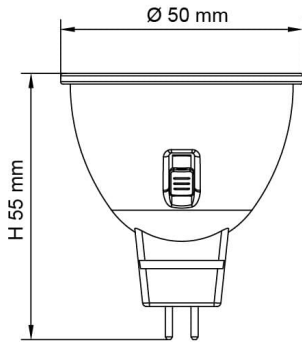
**IMPORTANT**, where CCT selection switching is provided, it is important to switch OFF the SUPPLY before the CCT selection is made, otherwise equipment damage may occur.

Due to continued product and technology enhancements, data sourced from sal.net.au shall not form part of any contract and or technical performance guarantee unless expressly confirmed in writing by SAL at the time of order. Products are sold in accordance with SAL Terms and Conditions of sale and all images shown are for illustration purposes only and may vary from the actual colour or finish. Unless specifically stated, all IP ratings nominated for Interior products are from "below the ceiling".



## Dimensions

### Dimensions



# COLOUR TEMPERATURE, THERE IS A DIFFERENCE



TC SELECTABLE COLOUR		
WARM WHITE <b>2700K</b>	COOL WHITE <b>4000K</b>	DAYLIGHT <b>6000K</b>

Lighting is more than just brightness or lumens. Make sure you take the time to select the right colour temperature to create the best visual appearance; your eyes don't tell lies!